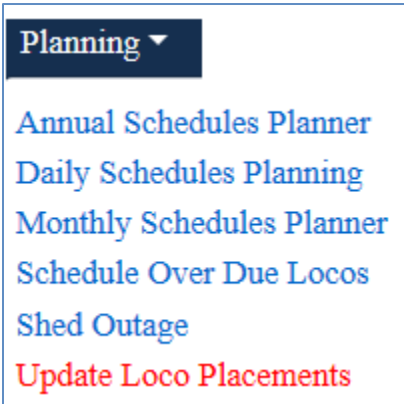


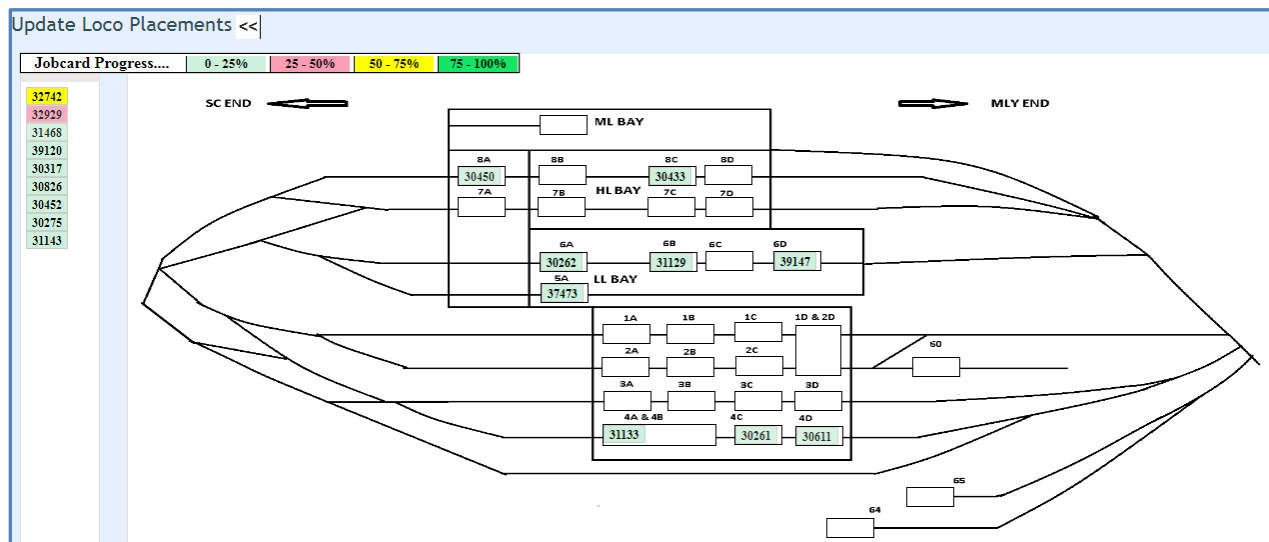
## Update Loco Placements

The Locos placed in a bay can be updated by the user, by drag and drop option.



Planning navigation menu -

- Click on "Planning" side menu and select "Update Loco Placements" navigation menu.
- "Update Loco Placements" page is displayed.



Update Loco Placements -

- In this page, Locos list is at the extreme left of the page and image of the bay is located on the right side.
- To changes the allotment of Locos in the bay, user drags the Loco Number image from Locos list and drops it in the bay.